

SERIES
TVM2 50Hz

VERTICAL MULTISTAGE
IN-LINE PUMPS



TVM2 High Efficiency Vertical Multistage In-line Stainless Steel Centrifugal Pump

1.Applications

TVM2 vertical multistage in-line stainless steel centrifugal pumps are designed in new generation, high efficiency and perfect performance. It referred to the European standard with new industrial design. It is energy saving, low noise, environment friendly, compact design, beautiful shape, light, easy for service, high reliability.

a. Pumped liquids

Thin, non-explosive liquids, not containing solid particles. The liquid must not attack the pump materials chemically. When pumping liquids with a density or viscosity higher than that of water, motor with correspondingly higher outputs must be used, if required.

b. Application

- Municipal water supply and pressure boosting
- Domestic water supply
- Boiler feed and condensate systems
- Cooling water systems
- Irrigation and de-watering
- Fire fighting
- Washing plants

2.Model code

TVM2 - 200 - 40 - 2A - B

- Series TVM2 = 50Hz High Efficiency
- Vertical Multistage In-line Stainless Steel Pump
- Nominal flow in m³/h
- Number of stage x 10
- 2 small impeller A
- 1 small impeller B

3.Technical data

a.Ambient Temperature

Maximum:+40°C

b.Liquid Temperature

Standard design:-15°C to +70°C (Max)

For hot water design:-15°C to +120°C

c.Min suction pressure

According to NPSH add 0.5m water head.

d.Electric Motor standard be supplied as:

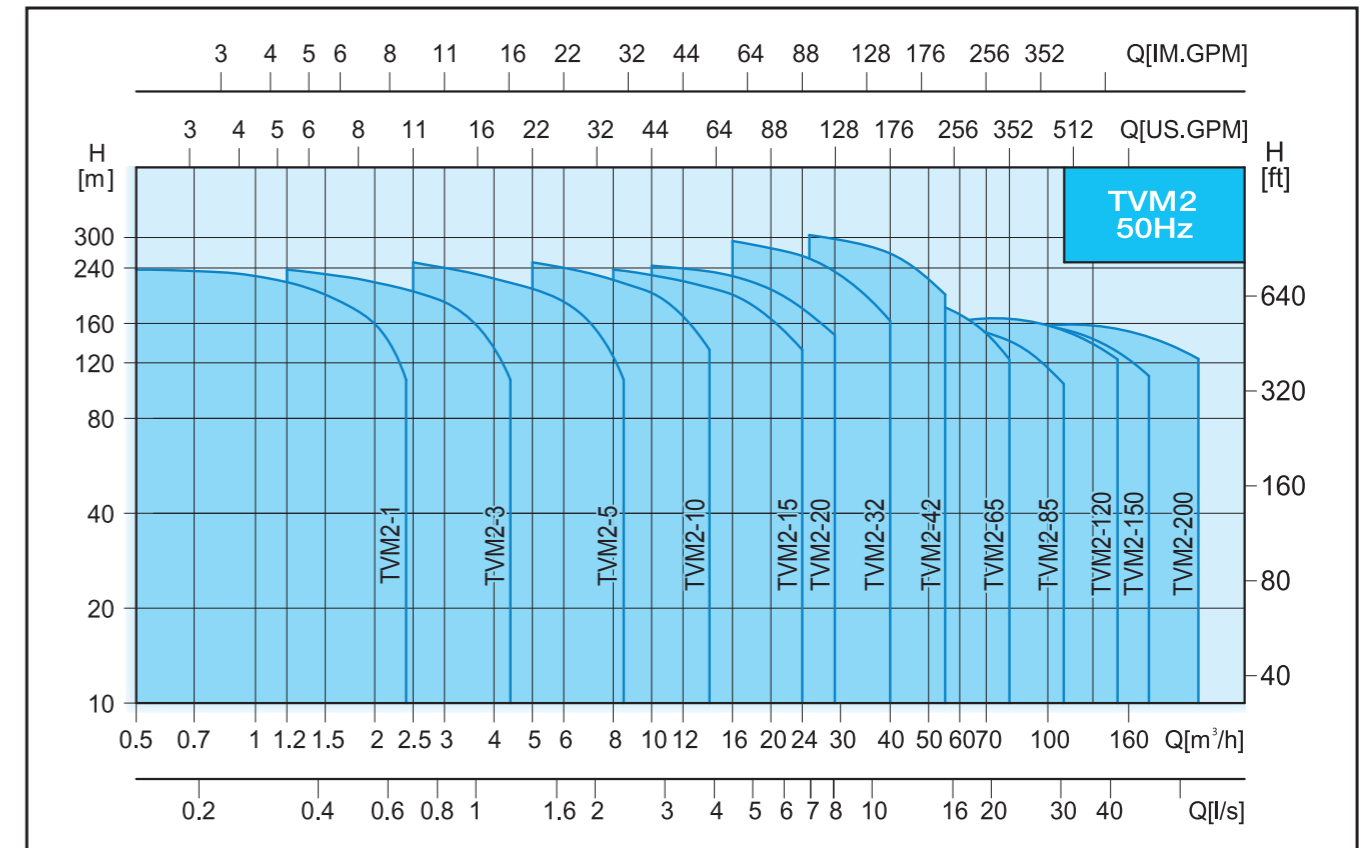
50Hz, single-phase 220V-240V or three-phase 380V-415V, aluminum casing, IP55, class F.

60Hz, single-phase 110V or three-phase 220V, aluminum casing, IP55, class F.

TVM2-1 series to TVM2-20 series NEMA standard motor on request

e.Pump's material can be supplied in 304, 316 or 316L stainless steel.

Selection charts



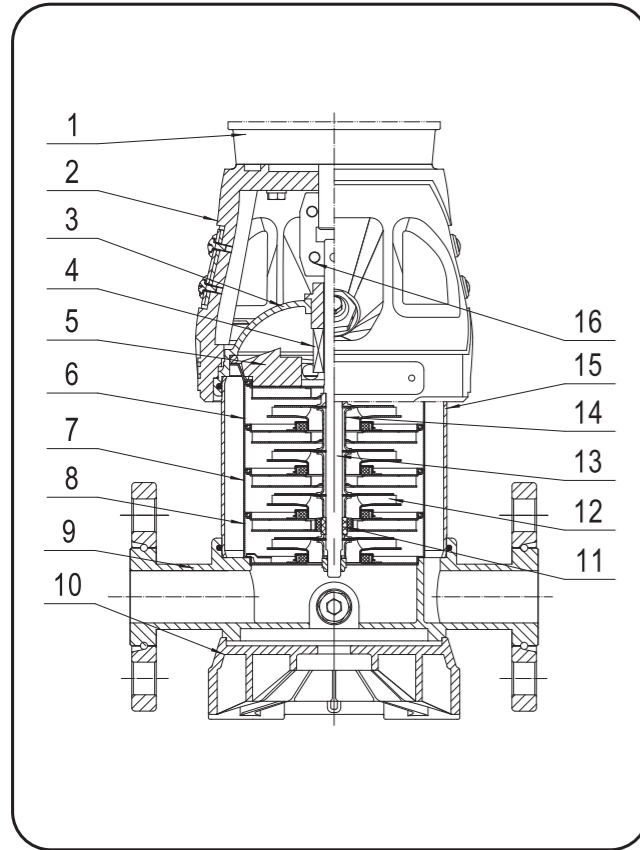
Performance range

Description	TVM2						
Rated flow[m³/h]	1	3	5	10	15	20	
Rated flow [l/s]	0.28	0.83	1.39	2.78	4.17	5.56	
Flow range[m³/h]	0.5~2.4	1.2~4.4	2.5~8.5	5~14	8~24	10~29	
Flow range [l/s]	0.14~0.67	0.33~1.22	0.69~2.36	1.39~3.89	2.22~6.67	2.78~8.06	
Max. pressure [bar]	22	23	24	24	22	25	
Motor power [kW]	0.37~2.2	0.37~3	0.37~5.5	0.75~11	1.1~15	1.1~18.5	
Temp [°C]	-15 ~ +120						
Max. efficiency [%]	48	58	70	72	73	73	
S.S. Pipelines	DIN flange	DN25	DN25	DN32	DN40	DN50	DN50
	Cutting ferrule joint	DN32	DN32	DN32	DN50	DN50	DN50
	Pipe thread	R1½	R1½	R1½	R2	R2	R2
	Oval flange	G1	G1	G1½	G1½		

Description	TVM2						
Rated flow[m³/h]	32	42	65	85	120	150	200
Rated flow [l/s]	8.89	11.67	18.06	23.61	33.33	41.67	55.56
Flow range[m³/h]	16~40	25~55	30~80	50~110	60~150	80~180	100~240
Flow range [l/s]	4.44~11.11	6.94~15.28	8.33~22.22	13.89~30.56	16.67~41.67	22.22~50	27.78~66.67
Max. pressure [bar]	29	30	22	17	16	16	16
Motor power [kW]	1.5~30	3~45	4~45	5.5~45	11~75	11~75	18.5~110
Temp [°C]	-15 ~ +120						
Max. efficiency [%]	73	75	76	77	74	73	79
Pipelines DIN flange	DN65	DN80	DN100	DN100	DN125	DN125	DN150

General arrangement drawing

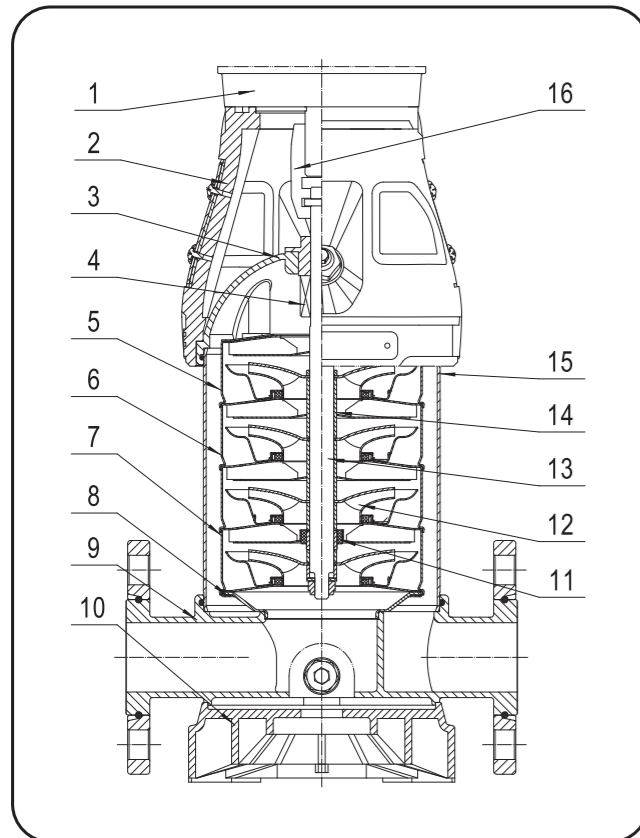
TVM2-1, 3, 5



Pos.	Name	Material	AISI/ASTM
1	Motor		
2	Pump head	Cast iron	ASTM25B
3	Lining	Stainless steel	AISI304
4	Mechanical seal	Tungsten carbide / Carbon	
5	Top diffuser	Stainless steel	AISI304
6	Diffuser	Stainless steel	AISI304
7	Support diffuser	Stainless steel	AISI304
8	Inducer	Stainless steel	AISI304
9	Inlet & outlet chamber	Stainless steel	AISI304
10	Base plate	Cast aluminum	
11	Bearing	Tungsten carbide	
12	Impeller	Stainless steel	AISI304
13	Shaft	Stainless steel	AISI304
14	Impeller sleeve	Stainless steel	AISI304
15	Cylinder	Stainless steel	AISI304
16	Coupling	Carbon steel/ Powder metallurgy	

Please check with us for other materials.

TVM2-10, 15, 20

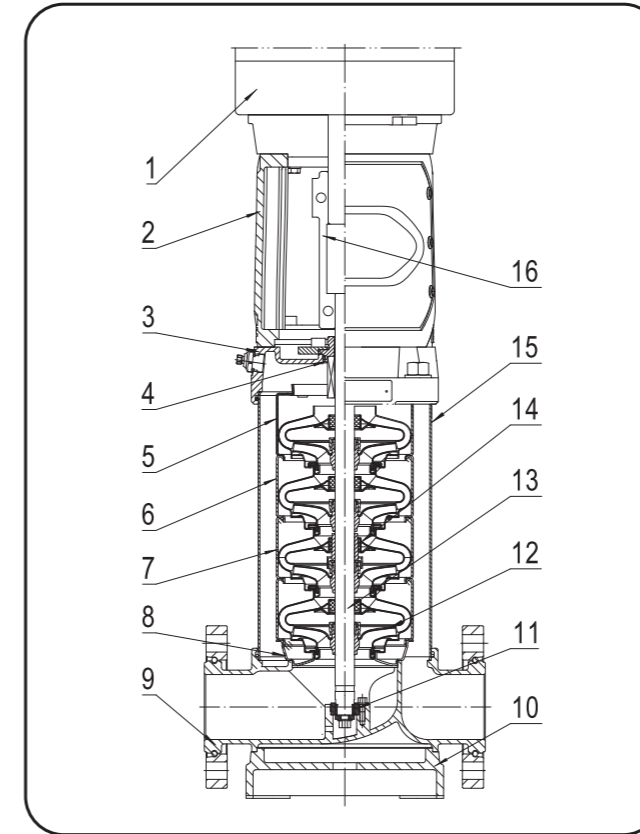


Pos.	Name	Material	AISI/ASTM
1	Motor		
2	Pump head	Cast iron	ASTM25B
3	Lining	Stainless steel	AISI304
4	Mechanical seal	Tungsten carbide/ Carbon	
5	Top diffuser	Stainless steel	AISI304
6	Diffuser	Stainless steel	AISI304
7	Support diffuser	Stainless steel	AISI304
8	Inducer	Stainless steel	AISI304
9	Inlet & outlet chamber	Stainless steel	AISI304
10	Base plate	Cast aluminum	
11	Bearing	Tungsten carbide	
12	Impeller	Stainless steel	AISI304
13	Shaft	Stainless steel	AISI304
14	Impeller sleeve	Stainless steel	AISI304
15	Cylinder	Stainless steel	AISI304
16	Coupling	Carbon steel/ Powder metallurgy	

Please check with us for other materials.

General arrangement drawing

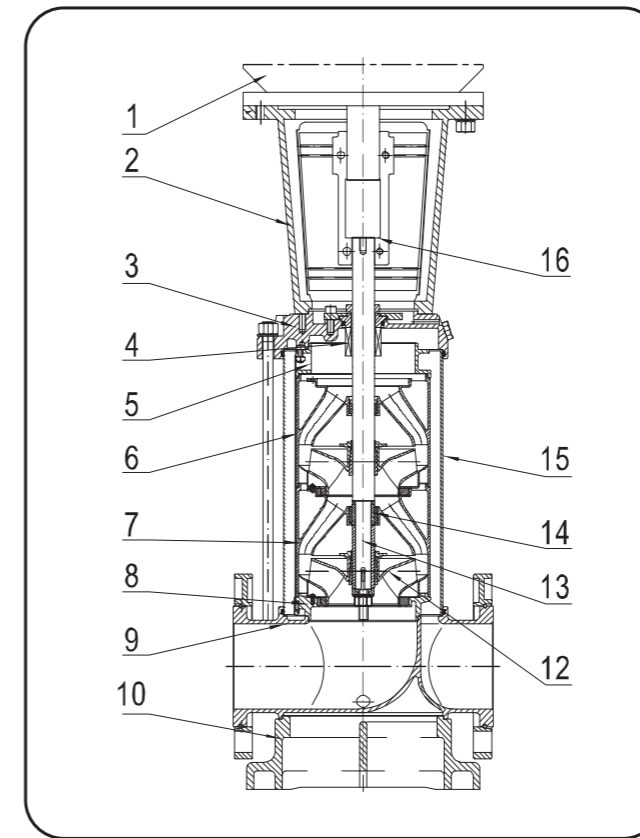
TVM2-32, 42, 65, 85



Pos.	Name	Material	AISI/ASTM
1	Motor		
2	Bracket	Cast iron	ASTM25B
3	Pump head	Stainless steel	AISI304
4	Mechanical seal	Tungsten carbide/ Carbon	
5	Top diffuser	Stainless steel	AISI304
6	Diffuser	Stainless steel	AISI304
7	Support diffuser	Stainless steel	AISI304
8	Inducer	Stainless steel	AISI304
9	Inlet & outlet chamber	Stainless steel	AISI304
10	Base plate	Cast iron	ASTM25B
11	Bottom bearing	Tungsten carbide	
12	Impeller	Stainless steel	AISI304
13	Shaft	Stainless steel	AISI304
14	Intermediate bearing	Tungsten carbide	
15	Cylinder	Stainless steel	AISI304
16	Coupling	Carbon steel/ Powder metallurgy	

Please check with us for other materials.

TVM2-120, 150, 200



Pos.	Name	Material	AISI/ASTM
1	Motor		
2	Bracket	Cast iron	ASTM25B
3	Pump head	Stainless steel	AISI304
4	Mechanical seal	Tungsten carbide/ Carbon	
5	Discharge	Stainless steel	AISI304
6	Diffuser	Stainless steel	AISI304
7	Support diffuser	Stainless steel	AISI304
8	Inducer	Stainless steel	AISI304
9	Inlet & outlet chamber	Stainless steel	AISI304
10	Base plate	Cast iron	ASTM25B
12	Impeller	Stainless steel	AISI304
13	Shaft	Stainless steel	AISI304
14	bearing	Tungsten carbide	
15	Cylinder	Stainless steel	AISI304
16	Coupling	Carbon steel/ Powder metallurgy	

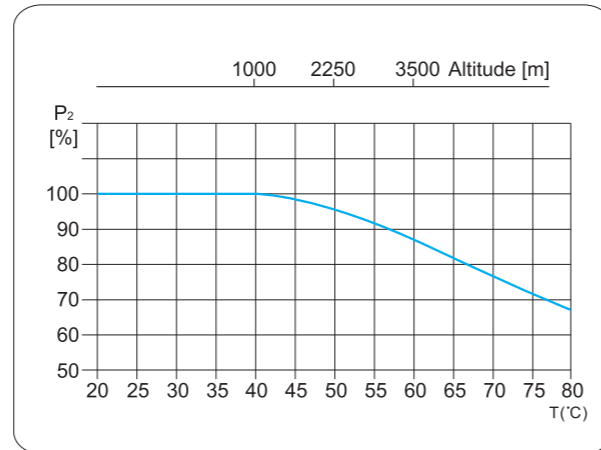
Please check with us for other materials.

Max. Working Pressure

Model	Max working(bar)
TVM2-1, 3, 5, 10, 15, 20 Flange, cutting ferrule, pipe thread	25
TVM2-1, 3, 5, 10 oval flange	16
TVM2-32 (S.S.)	30
TVM2-42 (S.S.)	
42-10-1~42-90	16(25)
42-100-2~42-130-2	25
TVM2-65, 85 (S.S.)	25
TVM2-120, 150, 200	20

Max. Ambient temperature

When the pump operates under ambient temperature higher than 40°C or under altitude higher than 1000m, because of low air density and poor cooling effects, the motor output power P2 will be decreased to certain extent. If the pump is operated under the above-said conditions, it should be equipped with motor of higher power.



Min. Inlet Pressure

In case that the pressure in pump is lower than the steam pressure used to convey liquid, the cavitations will occur. To avoid cavitations, a minimum pressure at the inlet side of the pump shall be guaranteed. The maximum suction stroke can be calculated with following formula:

$$H = P_b \times 10.2 - NPSH - H_f - H_v - H_s$$

P_b = atmosphere pressure [bar]

(Barometric pressure can be set as 1 bar)

In a closed system, P_b means system pressure [bar]

NPSH = Net positive suction head [m]

(It can be read out from the point of possible max. flow rate shown on NPSH curve)

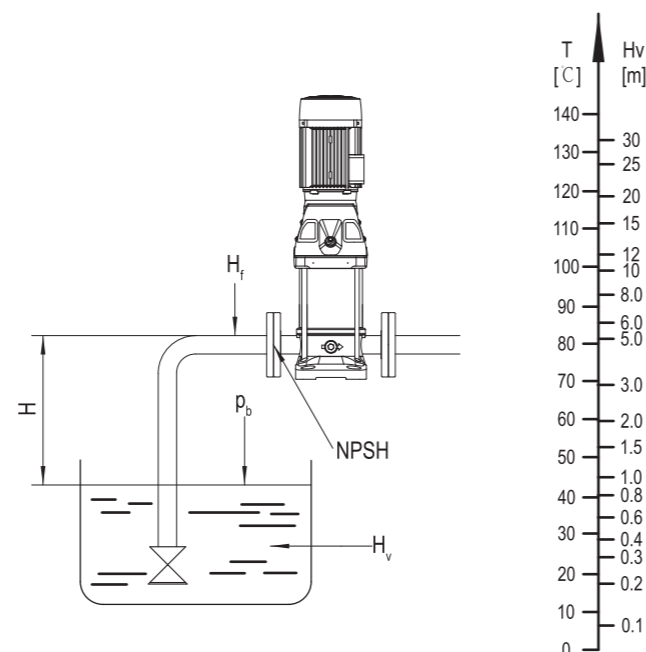
H_f = Pipeline loss at the inler [m]

H_v = Steam pressure [m]

H_s = Safety margin = Minimum 0.5m delivery head

If the calculated result H is positive, the pump may run under the max. Suction stroke H.

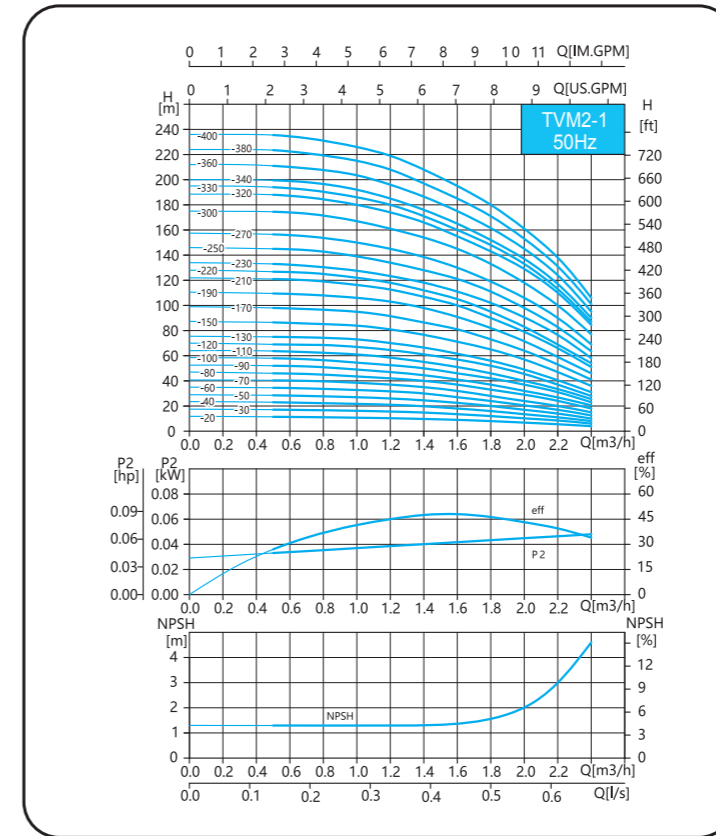
In case the calculated result H is negative, a delivery head of min. Inlet pressure is necessary.



Technical Data

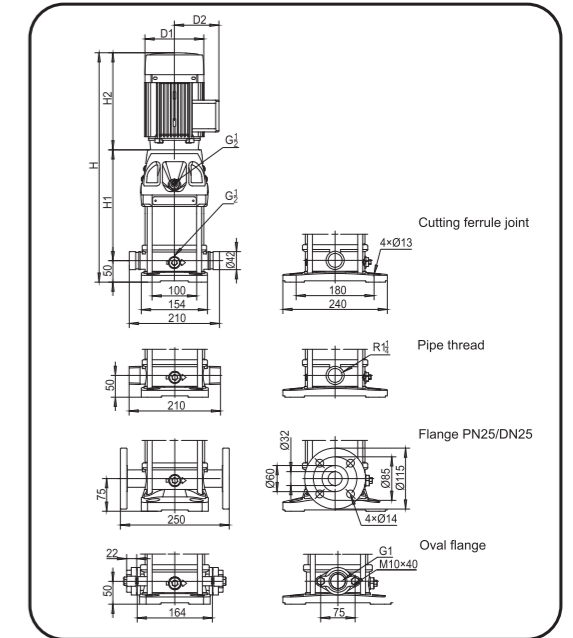
Performance curve

ISO9906 2900rpm



TVM2-1

Installation sketch



Performance table

Model	Motor		Q (m³/h)	H (m)											
	(kW)	(hp)		0	0.5	0.7	1	1.2	1.4	1.6	1.8	2	2.2	2.4	
TVM2-1-20	0.37	0.5	11.8	11.5	11.2	10.5	10.3	9.7	9	8	6.8	5.5	4		
TVM2-1-30	0.37	0.5	17.5	17	16.8	16	15.6	14.8	13.5	12	10	8.5	6		
TVM2-1-40	0.37	0.5	23.5	23	22.5	21.5	21	19.8	18	16	13.5	11	8		
TVM2-1-50	0.37	0.5	29	28.5	28	27	26	24.5	22.5	20	17	14	10		
TVM2-1-60	0.37	0.5	35	34.5	34	32.5	31.5	30	27	24	20.5	17	12.5		
TVM2-1-70	0.37	0.5	41	40.5	40	39	37	35	32	28	24	20	15		
TVM2-1-80	0.55	0.75	47	46	45.5	43.5	42	40	37	33	29	24.5	18		
TVM2-1-90	0.55	0.75	52.5	52	51.5	49	47	44.5	41	37	32	27	20.5		
TVM2-1-100	0.55	0.75	58.5	58	57	55	52.5	50	46	42	37	31	23		
TVM2-1-110	0.55	0.75	64	63.5	63	61	58.5	55	51	46	40	33.5	25.5		
TVM2-1-120	0.75	1	70	69	68.5	67	64.5	61	57	52	45.5	37	28		
TVM2-1-130	0.75	1	75.5	75	74.5	73	70	66.5	61.5	56	49	40.5	31		
TVM2-1-150	0.75	1	87.5	86.5	85.5	84	81	76.5	71	65	57	47	36		
TVM2-1-170	1.1	1.5	99	98	97	95	91.5	86.5	81	73	64	53	41		
TVM2-1-190	1.1	1.5	110	109	108	106	103	98	91	82	72	59	46		
TVM2-1-210	1.1	1.5	122	121	120	117	113	107	100	90	78	65	50		
TVM2-1-220	1.1	1.5	128	127	126	122	118	112	105	95	83	69	54		
TVM2-1-230	1.5	2	134	133	132	128	123	118	111	102	90.5	76.5	58		
TVM2-1-250	1.5	2	146	145	144	139	134	128	121	111	98	83	63		
TVM2-1-270	1.5	2	158	157	155	150	145	138	130	119	106	90	69		
TVM2-1-300	1.5	2	175	174	172	167	161	154	145	133	118	100	77		
TVM2-1-320	2.2	3	189	188	186	180	174	166	155	143	129	110	85		
TVM2-1-330	2.2	3	195	194	192	186	180	171	160	148	133	113	87		
TVM2-1-340	2.2	3	200	199	198	192	185	176	165	152	137	117	90		
TVM2-1-360	2.2	3	212	211	209	203	196	186	175	161	145	124	95		
TVM2-1-380	2.2	3	225	224	221	215	208	197	185	171	153	131	101		
TVM2-1-400	2.2	3	237	236	233	226	219	208	195	180	161	138	106		

Size and weight

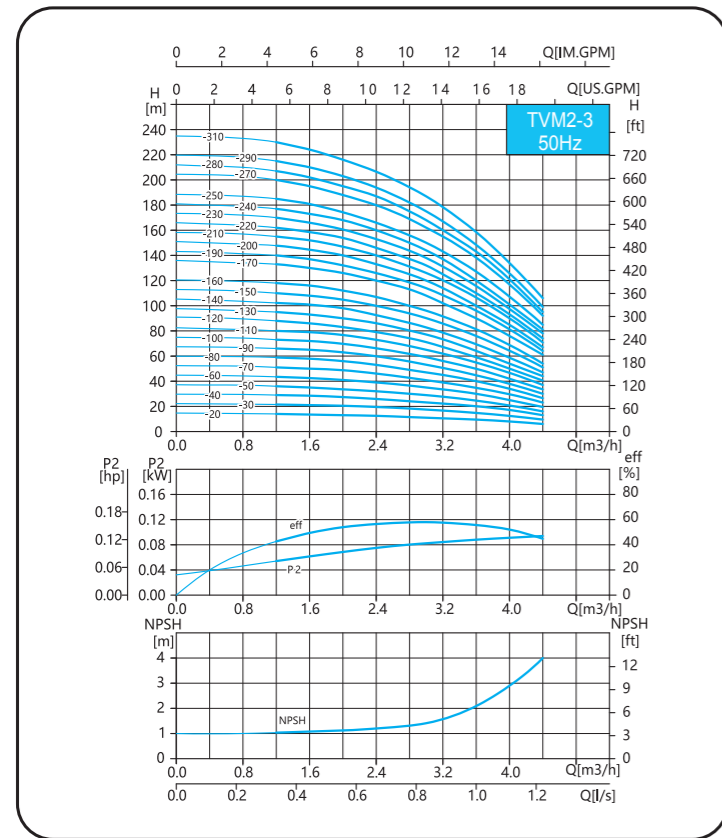
Model	Dimension (mm)				Weight (kg)
	H1	H2	H (Flange/Oth.)	D1 D2	
TVM2-1-20	187	220	482/457	140 103	19
TVM2-1-30	207	220	502/477	140 103	19
TVM2-1-40	227	220	522/497	140 103	20
TVM2-1-50	247	220	542/517	140 103	20
TVM2-1-60	267	220	562/537	140 103	21
TVM2-1-70	287	220	582/557	140 103	21
TVM2-1-80	307	220	602/577	140 103	23
TVM2-1-90	327	220	622/597	140 103	23
TVM2-1-100	347	220	642/617	140 103	24
TVM2-1-110	367	220	662/637	140 103	24
TVM2-1-120	397	250	722/697	148 108	27
TVM2-1-130	417	250	742/717	148 108	27
TVM2-1-150	457	250	782/757	148 108	28
TVM2-1-170	497	250	822/797	148 108	31
TVM2-1-190	537	250	862/837	148 108	32
TVM2-1-210	577	250	902/877	148 108	32
TVM2-1-220	597	250	922/897	148 108	33
TVM2-1-230	627	293	995/970	172 120	39
TVM2-1-250	667	293	1035/1010	172 120	40
TVM2-1-270	707	293	1075/1050	172 120	41
TVM2-1-300	767	293	1135/1110	172 120	42
TVM2-1-320	807	293	1175/1150	172 120	45
TVM2-1-330	827	293	1195/1170	172 120	45
TVM2-1-340	847	293	1215/1190	172 120	46
TVM2-1-360	887	293	1255/1230	172 120	47
TVM2-1-380	927	293	1295/1270	172 120	47
TVM2-1-400	967	293	1335/1310	172 120	48

Note 1: TVM2-1-270 to 1-400 have not oval flange pipeline connection.

Note 2: The overall dimensions of the single-phase motor and explosive-proof motor are a little different. Please contact us for details.

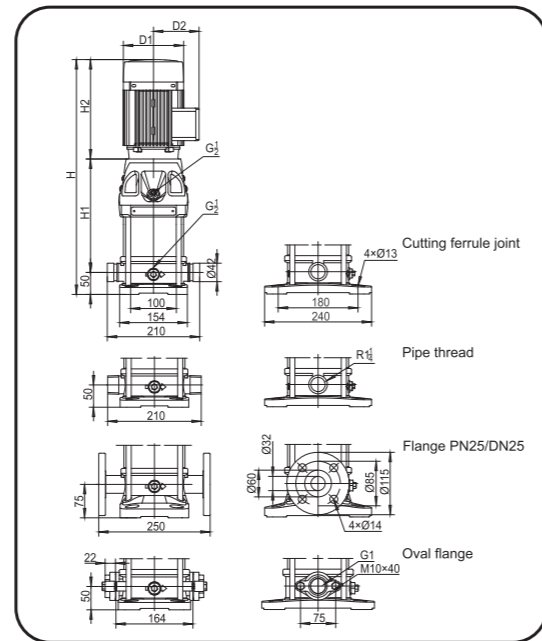
Technical Data

Performance curve ISO9906 2900rpm



TVM2-3

Installation sketch



Performance table

Model	Motor		Q (m³/h)	H (m)											
	(kW)	(hp)		0	1.2	1.6	2	2.4	2.8	3	3.2	3.6	4	4.4	
TVM2-3-20	0.37	0.5	15	14	14	13	13	12	11	11	9.5	8	6		
TVM2-3-30	0.37	0.5	22	22	21	21	20	18	17	17	15	13	9.5		
TVM2-3-40	0.37	0.5	30	29	29	28	26	24	23	22	20	17	13		
TVM2-3-50	0.55	0.75	37	36	35	34	32	30	29	28	25	21	16		
TVM2-3-60	0.55	0.75	45	44	43	41	39	37	35	34	30	25	20		
TVM2-3-70	0.75	1	53	51	50	49	46	43	41	40	35	30	23		
TVM2-3-80	0.75	1	60	59	58	56	53	49	47	45	40	34	27		
TVM2-3-90	1.1	1.5	68	66	65	63	60	56	53	51	45	38	30		
TVM2-3-100	1.1	1.5	75	73	72	70	66	61	59	56	50	42	34		
TVM2-3-110	1.1	1.5	83	80	79	77	73	68	65	62	55	47	37		
TVM2-3-120	1.1	1.5	90	88	86	83	79	74	71	67	59	50	41		
TVM2-3-130	1.5	2	98	95	93	90	86	80	77	73	64	54	44		
TVM2-3-140	1.5	2	105	102	101	98	93	86	83	78	69	58	47		
TVM2-3-150	1.5	2	113	110	108	105	100	94	90	86	76	64	51		
TVM2-3-160	1.5	2	120	118	116	112	107	100	96	92	81	69	54		
TVM2-3-180	2.2	3	136	133	130	126	120	113	108	102	90	76	61		
TVM2-3-190	2.2	3	143	140	137	132	126	119	114	108	96	82	64		
TVM2-3-200	2.2	3	151	148	144	140	133	125	120	114	100	85	67		
TVM2-3-210	2.2	3	158	155	152	147	140	131	126	120	106	90	71		
TVM2-3-220	2.2	3	166	162	158	154	146	137	132	125	110	93	74		
TVM2-3-230	2.2	3	173	170	166	161	153	144	138	131	115	97	78		
TVM2-3-240	2.2	3	181	177	173	168	160	150	144	137	120	101	81		
TVM2-3-250	3	4	188	185	181	175	166	156	150	142	125	105	85		
TVM2-3-270	3	4	204	200	195	188	180	169	162	155	138	117	92		
TVM2-3-280	3	4	212	207	202	195	187	175	168	160	143	121	95		
TVM2-3-290	3	4	220	215	210	203	194	182	175	167	148	126	99		
TVM2-3-310	3	4	235	230	224	216	207	194	187	178	159	134	106		

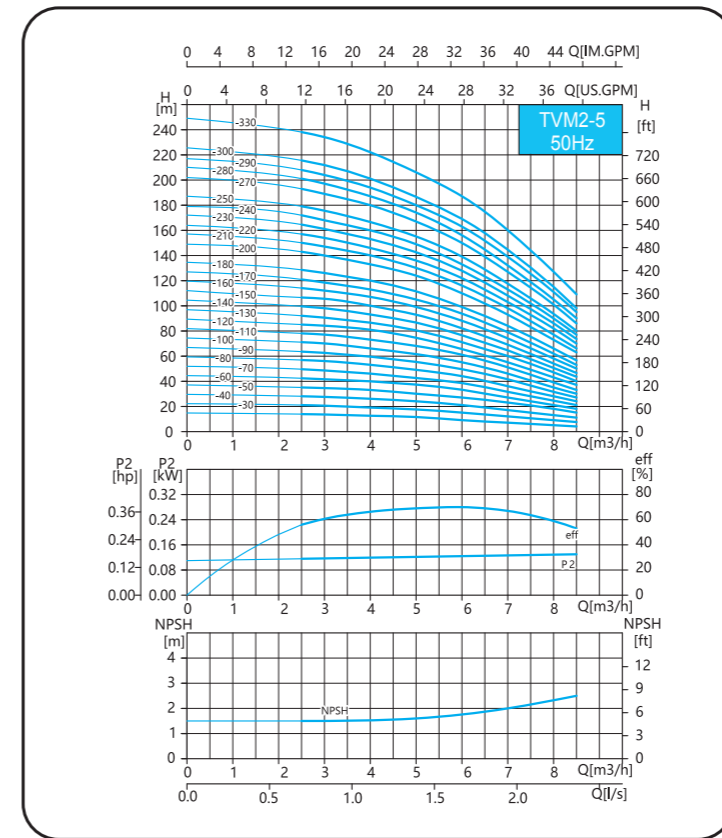
Note 1: TVM2-3-210 to 3-310 have not oval flange pipeline connection.
 Note 2: The overall dimensions of the single-phase motor and explosive-proof motor are a little different. Please contact us for details.

Size and weight

Model	Dimension (mm)					Weight (kg)
	H1	H2	H(Flange/Oth.)	D1	D2	
TVM2-3-20	187	220	482/457	140	103	20
TVM2-3-30	207	220	502/477	140	103	20
TVM2-3-40	227	220	522/497	140	103	21
TVM2-3-50	247	220	542/517	140	103	22
TVM2-3-60	267	220	562/537	140	103	23
TVM2-3-70	297	250	622/597	148	108	26
TVM2-3-80	317	250	642/617	148	108	26
TVM2-3-90	337	250	662/637	148	108	28
TVM2-3-100	357	250	682/657	148	108	29
TVM2-3-110	377	250	702/677	148	108	29
TVM2-3-120	397	250	722/697	148	108	30
TVM2-3-130	427	293	795/770	172	120	35
TVM2-3-140	447	293	815/790	172	120	36
TVM2-3-150	467	293	835/810	172	120	36
TVM2-3-160	487	293	855/830	172	120	37
TVM2-3-180	527	293	895/870	172	120	39
TVM2-3-190	547	293	915/890	172	120	40
TVM2-3-200	567	293	935/910	172	120	40
TVM2-3-210	587	293	955/930	172	120	41
TVM2-3-220	607	293	975/950	172	120	41
TVM2-3-230	627	293	995/970	172	120	42
TVM2-3-240	647	293	1015/990	172	120	42
TVM2-3-250	677	345	1097/1072	197	132	53
TVM2-3-270	717	345	1137/1112	197	132	54
TVM2-3-280	737	345	1157/1132	197	132	54
TVM2-3-290	757	345	1177/1152	197	132	54
TVM2-3-310	797	345	1217/1192	197	132	55

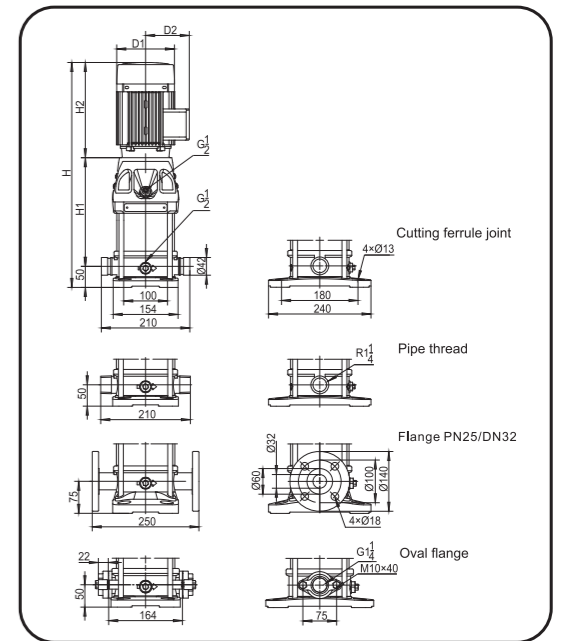
Technical Data

Performance curve ISO9906 2900rpm



TVM2-5

Installation sketch



Performance table

Model	Motor		Q (m³/h)	H (m)								
	(kW)	(hp)		0	2.5	3	4	5	6	7	8	8.5
TVM2-5-20	0.37	0.5	14.7	13.5	13.3	12.5	11.5	9	7	5	4	
TVM2-5-30	0.55	0.75	22.1	21	20.5	19	17.5	15	12	9	7.5	
TVM2-5-40	0.55	0.75	29.5	28	27.5	26	24	21	17	13	11	
TVM2-5-50	0.75	1	37	35	34.5	33	30	27	23	18	15	
TVM2-5-60	1.1	1.5	44.5	42	41.5	40	37	33	27	21	18	
TVM2-5-70	1.1	1.5	52	49.5	48.5	46	42.5	38.5	31.5	24.5	21	
TVM2-5-80	1.1	1.5	59	57	56	53	49	44	36	28	24	
TVM2-5-90	1.5	2	67	64	63	60	55	49.5	41.5	31.5	27	
TVM2-5-100	1.5	2	74.5	71	70	66	62	55	46	35	30	
TVM2-5-110	1.5	2	82	78	77	73	68	61	51	39	33	
TVM2-5-120	2.2	3	89.5	85	84	81	74.5	66	55	43	37	
TVM2-5-130	2.2	3	97	92	91	87	80	71	60	47	40	
TVM2-5-140	2.2	3	104	100	98	93	87	77	65	51	43.5	
TVM2-5-150	2.2	3	112	107	106	100	93	82	69	54	46.5	
TVM2-5-160	2.2	3	119	114	112	107	99	88	74	58	50	
TVM2-5-170	3	4	127	121	118.5	113	105	94	79	62	53	
TVM2-5-180	3	4	134	128	126	120	111	99	84	66	56	
TVM2-5-200	3	4	149	143	140	133	124	110	93	73	63	
TVM2-5-210	3	4	157	150	147	140	130	116	98	77	66	
TVM2-5-220	4	5.5	164	157	154	146	136	122	103	82	70	
TVM2-5-230	4	5.5	172	165	161	153	142	128	108	86	74	
TVM2-5-240	4	5.5	179	172	168	160	149	133	113	90	77	
TVM2-5-250	4	5.5	187	179	175	167	155	139	117	93	80	
TVM2-5-270	4	5.5	202	193	189	180	168	150	127	101	86	
TVM2-5-280	4	5.5	210	201	197	187	174	156	132	105	90	
TVM2-5-290	5.5	7.5	217	208	204	194	180	163	139	111	95	
TVM2-5-300	5.5	7.5	225	216	212	201	186	169	144	115	98	
TVM2-5-330	5.5	7.5	249	238	234	222	206	187	160	127	109	

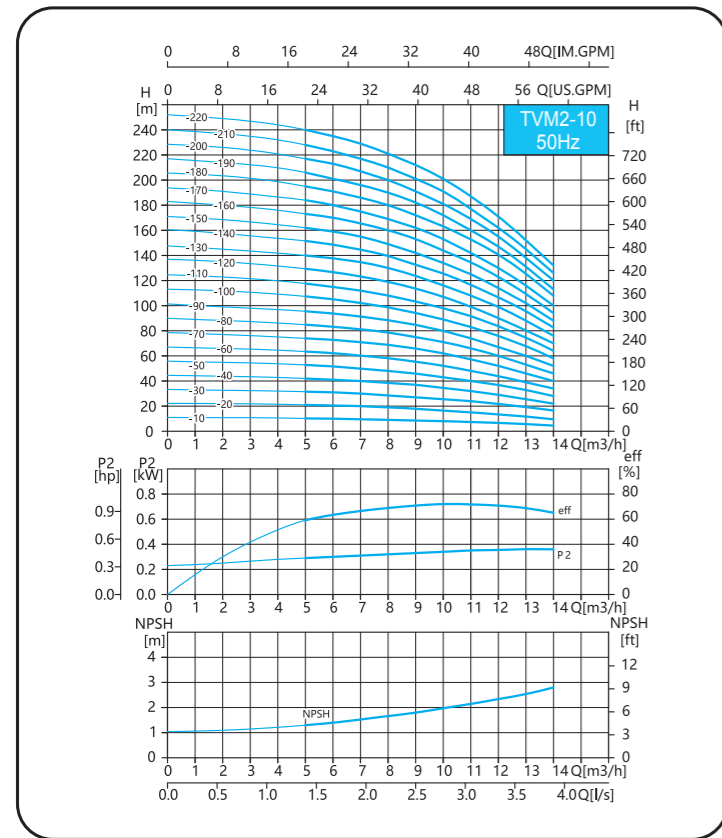
Note 1: TVM2-5-210 to 5-330 have not oval flange pipeline connection.
 Note 2: The overall dimensions of the single-phase motor and explosive-proof motor are a little different. Please contact us for details.

Size and weight

Model	Dimension (mm)					Weight (kg)
	H1	H2	H(Flange/Oth.)	D1	D2	
TVM2-5-20	201	220	496/471	140	103	19
TVM2-5-30	228	220	523/498	140	103	21
TVM2-5-40	255	220	550/525	140	103	22
TVM2-5-50	292	250	617/592	148	108	25
TVM2-5-60	319	250	644/619	148	108	27
TVM2-5-70	346	250	671/646	148	108	28
TVM2-5-80	373	250	698/673	148	108	28
TVM2-5-90	410	293	778/753	172	120	33
TVM2-5-100	437	293	805/780	172	120	34
TVM2-5-110	464	293	832/807	172	120	34
TVM2-5-120	491	293	859/834	172	120	37
TVM2-5-130	518	293	886/861	172	120	37
TVM2-5-140	545	293	913/888	172	120	38
TVM2-5-150	572	293	940/915	172	120	38
TVM2-5-160	599	293	967/942	172	120	39
TVM2-5-170	636	345	1056/1031	197	132	50
TVM2-5-180	663	345	1083/1058	197	132	50
TVM2-5-200	717	345	1137/1112	197	132	51
TVM2-5-210	744	345	1164/1139	197	132	52
TVM2-5-220	771	348	1194/1169	215	151	59
TVM2-5-230	798	348	1221/1196	215	151	60
TVM2-5-240	825	348	1248/1223	215	151	60
TVM2-5-250	852	348	1275/1250	215	151	61
TVM2-5-270	906	348	1329/1304	215	151	62
TVM2-5-280	933	348	1356/1331	215	151	62
TVM2-5-290	1035	390	1500/1475	260	168	82
TVM2-5-300	1062	390	1527/1502	260	168	83
TVM2-5-330	1143	390	1608/1583	260	168	84

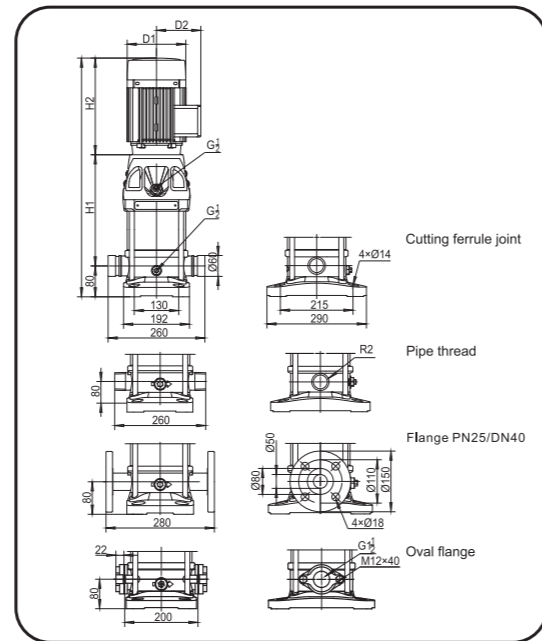
Technical Data

Performance curve ISO9906 2900rpm



TVM2-10

Installation sketch



Performance table

Model	Motor		Q (m³/h)	H (m)											
	(kW)	(hp)		0	5	6	8	10	12	14					
TVM2-10-10	0.75	1	11	10.2	10	9	8	7	4.5						
TVM2-10-20	0.75	1	22.2	21	20.5	19	16.5	13.5	9.5						
TVM2-10-30	1.1	1.5	33.3	31.5	31	28.5	25.5	22	16.5						
TVM2-10-40	1.5	2	44.5	42	41	38	34	29	22						
TVM2-10-50	2.2	3	56	52.5	51	48	43	37	28						
TVM2-10-60	2.2	3	67	63	62	58	52	44	34						
TVM2-10-70	3	4	78.5	74	73	69	62	52	40						
TVM2-10-80	3	4	90	85	84	79	71	60	46						
TVM2-10-90	4	5.5	101.5	96	94	89	80	67	52						
TVM2-10-100	4	5.5	113	107	105	98	89	76	58						
TVM2-10-110	4	5.5	124	118	115	108	98	84	64						
TVM2-10-120	4.5	6	137	129	127	119	107	91	70						
TVM2-10-130	5.5	7.5	147	140	138	130	116	99	76						
TVM2-10-140	5.5	7.5	160	151	148	139	125	106	82						
TVM2-10-150	5.5	7.5	171	162	159	149	134	114	88						
TVM2-10-160	7.5	10	183	173	170	159	144	123	94						
TVM2-10-170	7.5	10	194	184	180	169	153	130	100						
TVM2-10-180	7.5	10	205	195	191	180	163	141	108						
TVM2-10-190	7.5	10	217	206	201	190	172	147	113						
TVM2-10-200	7.5	10	228	217	213	200	181	155	120						
TVM2-10-210	7.5	10	240	228	223	210	191	162	126						
TVM2-10-220	11	15	250	240	235	221	201	171	132						

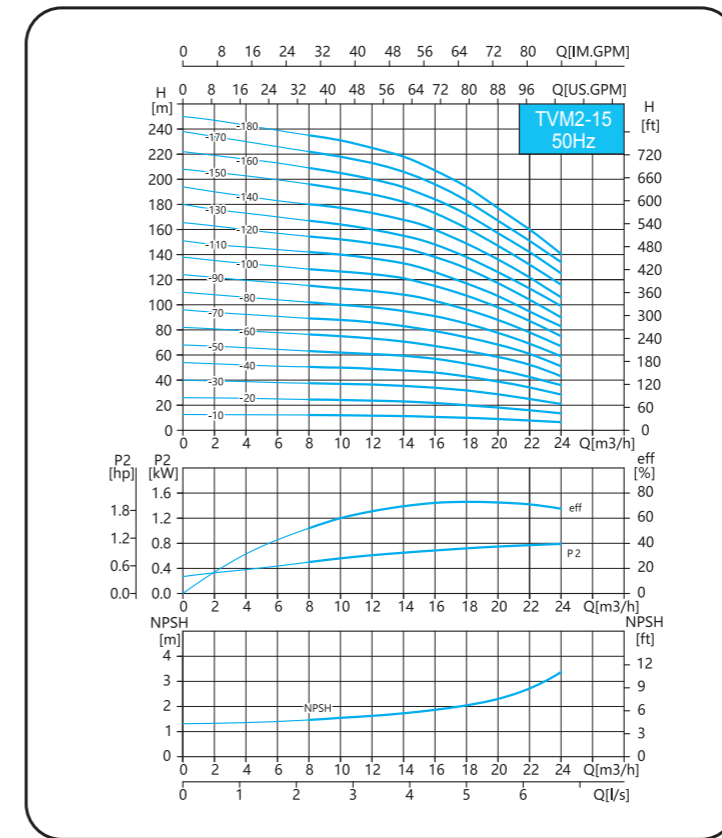
Note 1: TVM2-10-150 to 10-220 have not oval flange pipeline connection.
 Note 2: The overall dimensions of the single-phase motor and explosive-proof motor are a little different. Please contact us for details.

Size and weight

Model	Dimension (mm)					Weight (kg)
	H1	H2	H	D1	D2	
TVM2-10-10	267	250	597	148	108	29
TVM2-10-20	267	250	597	148	108	30
TVM2-10-30	297	250	627	148	108	33
TVM2-10-40	337	293	710	172	120	39
TVM2-10-50	367	293	740	172	120	43
TVM2-10-60	397	293	770	172	120	44
TVM2-10-70	437	345	862	197	132	55
TVM2-10-80	467	345	892	197	132	56
TVM2-10-90	497	348	925	215	151	63
TVM2-10-100	527	348	955	215	151	64
TVM2-10-110	557	348	985	215	151	65
TVM2-10-120	587	348	1015	215	151	66
TVM2-10-130	695	390	1165	260	168	86
TVM2-10-140	725	390	1195	260	168	87
TVM2-10-150	755	390	1225	260	168	88
TVM2-10-160	785	390	1255	260	168	97
TVM2-10-170	815	390	1285	260	168	98
TVM2-10-180	845	390	1315	260	168	99
TVM2-10-190	875	390	1345	260	168	100
TVM2-10-200	905	390	1375	260	168	101
TVM2-10-210	935	390	1405	260	168	102
TVM2-10-220	995	500	1575	330	205	168

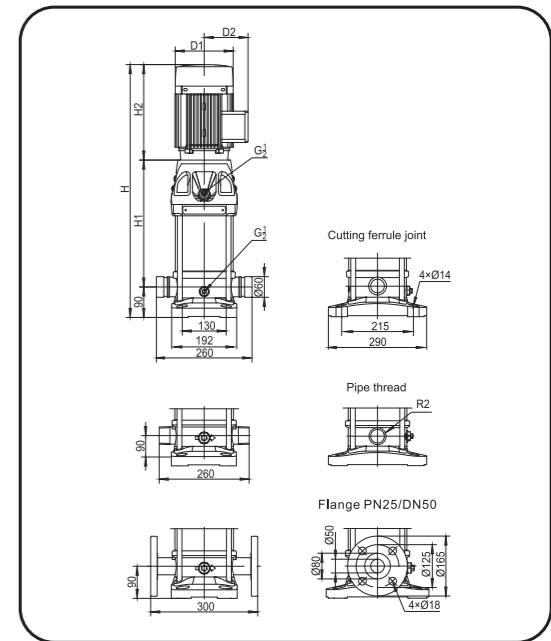
Technical Data

Performance curve ISO9906 2900rpm



TVM2-15

Installation sketch



Performance table

Model	Motor		Q (m³/h)	H (m)															
	(kW)	(hp)		0	8	10	12	14	15	16	18	20	22	24					
TVM2-15-10	1.1	1.5	12.6	12.2	12	11.8	11.5	11	10.5	10	9	8	6.5						
TVM2-15-20	2.2	3	26	24.5	24	23.5	23	22.5	21.5	20	18	16	13.5						
TVM2-15-30	3	4	40	37.5	37	36.5	35.5	34.5	34	32	29	25	21						
TVM2-15-40	4	5.5	54	50.5	50	49	47.5	47	46	43	39	34	28.5						
TVM2-15-50	4	5.5	68	63	62	61	59	58	57	53	48	42.5	36						
TVM2-15-60	5.5	7.5	82	76	75	73	71	69	67	63	58	52	43						
TVM2-15-70	5.5	7.5	96	89	88	86	83	81	79	74	68	61	51						
TVM2-15-80	7.5	10	110	102	100	98	95	93	91	85	78	69	59						
TVM2-15-90	7.5	10	124	115	113	111	108	106	103	96	88	78	67						
TVM2-15-100	11	15	138	128	126	124	121	118	115	107	98	87	75						
TVM2-15-110	11	15	151	142	140	137	133	130	126	117	107	95	83						
TVM2-15-120	11	15	166	154	152	149	145	142	138	129	117	104	90						
TVM2-15-130	11	15	180	167	164	160	155	152	148	138	126	113	99						
TVM2-15-140	11	15	194	180	177	173	168	165	160	149	136	122	106						
TVM2-15-150	15	20	208	196	192	188	182	178	173	161	147	132	116						
TVM2-15-160	15	20	222	209	205	200	194	189	184	172	157	142	125						
TVM2-15-170	15	20	236	222	218	213	206	201	196	183	167	151	132						
TVM2-15-180	15	20	250	235	231	225	218	213	207	194	177	160	141						

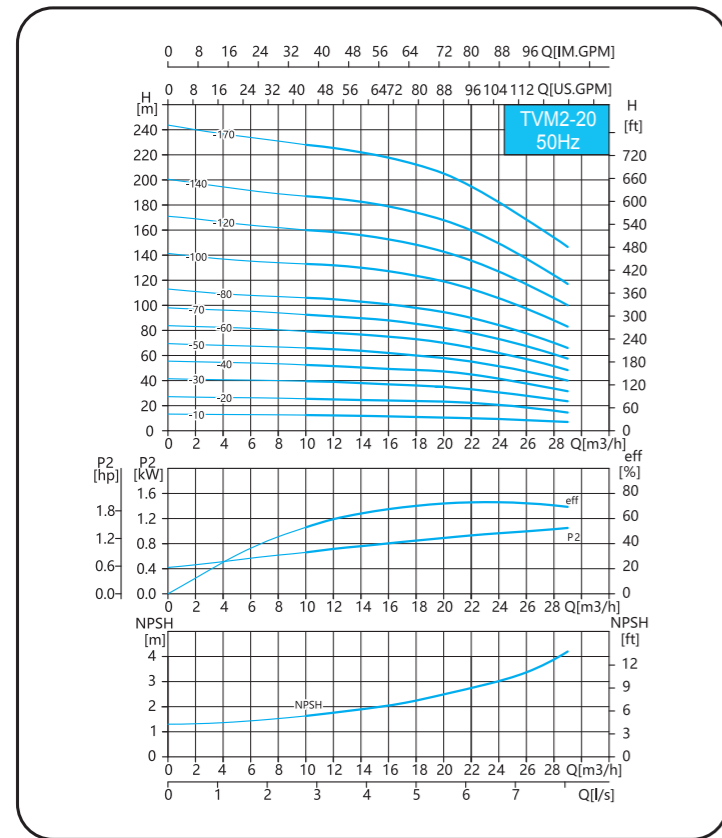
The overall dimensions of the single-phase motor and explosive-proof motor are a little different. Please contact us for details.

Size and weight

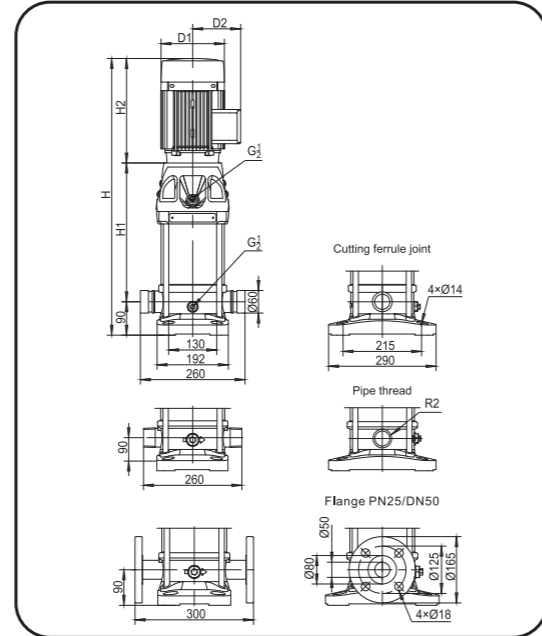
Model	Dimension (mm)					Weight (kg)
	H1	H2	H	D1	D2	
TVM2-15-10	297	250	637	148	108	33
TVM2-15-20	307	293	690	172	120	41
TVM2-15-30	362	345	797	197	132	52
TVM2-15-40	407	348	845	215	151	59
TVM2-15-50	452	348	890	215	151	61
TVM2-15-60	575	390	1055	260	168	83
TVM2-15-70	620	390	1100	260	168	84
TVM2-15-80	665	390	1145	260	168	91
TVM2-15-90	710	390	1190	260	168	92
TVM2-15-100	785	500	1375	330	205	150
TVM2-15-110	830	500	1420	330	205	152
TVM2-15-120	875	500	1465	330	205	153
TVM2-15-130	920	500	1510	330	205	155
TVM2-15-140	965	500	1555	330	205	156
TVM2-15-150	1010	500	1600	330	205	172
TVM2-15-160	1055	500	1645	330	205	174
TVM2-15-170	1100	500	1690	330	205	175
TVM2-15-180	1145	500	1735	330	205	177

Technical Data

Performance curve ISO9906 2900rpm



Installation sketch



Performance table

Model	Motor		Q (m³/h)	H (m)															
	(kW)	(hp)		0	10	12	14	16	18	20	22	24	26	28	29				
TVM2-20-10	1.1	1.5		13.3	12.5	12.3	12	11.5	11	10.5	10	9.5	9	8	7				
TVM2-20-20	2.2	3		27.2	25.5	25	24.5	24	23	22	21	20	18	16	14.5				
TVM2-20-30	4	5.5		41.5	39.5	39	38	37	36	34.5	33	31	28	25	23.5				
TVM2-20-40	5.5	7.5		55.5	52.5	51	50	49	48	46	44	41	37	33	31.5				
TVM2-20-50	5.5	7.5		69.5	66	65	64	62	60	58	55	51	47	42	40				
TVM2-20-60	7.5	10		83.8	79	78	77	75	73	70	66	62	58	52	48				
TVM2-20-70	7.5	10		98	92.5	91	90	88	85	82	78	73	68	61	57.5				
TVM2-20-80	11	15		113	106	105	103	101	98	95	90	84	77	70	66				
TVM2-20-100	11	15		141	133	132	130	127	123	119	113	106	97	88	83				
TVM2-20-120	15	20		171	160	158	156	153	149	143	137	127	117	106	100				
TVM2-20-140	15	20		201	187	185	183	179	174	168	160	149	137	124	117				
TVM2-20-170	18.5	25		244	228	225	222	218	212	205	195	182	168	154	147				

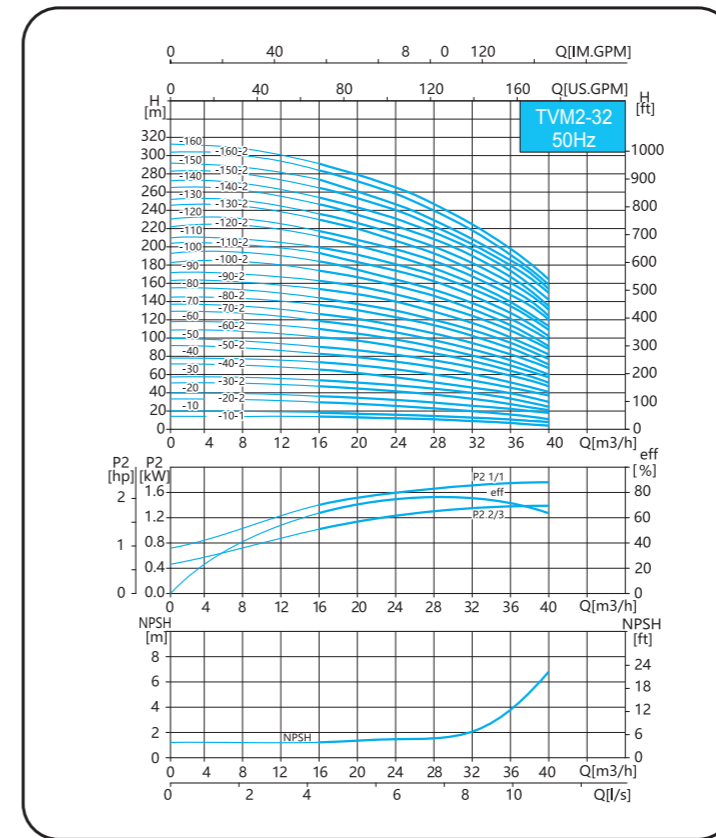
The overall dimensions of the single-phase motor and explosive-proof motor are a little different. Please contact us for details.

Size and weight

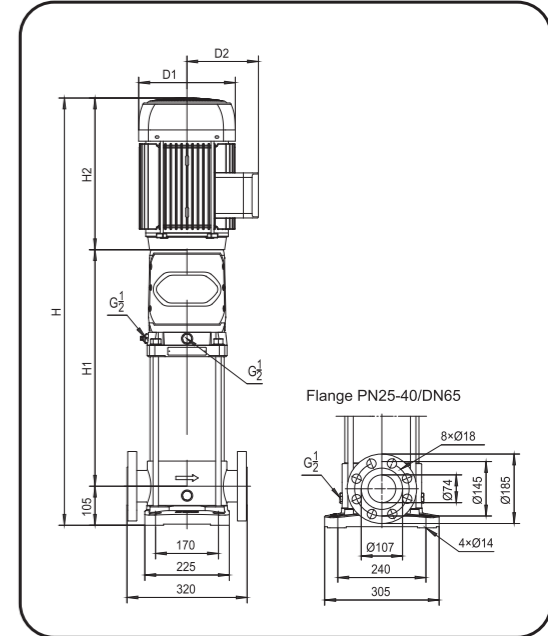
Model	Dimension (mm)					Weight (kg)
	H1	H2	H	D1	D2	
TVM2-20-10	297	250	637	148	108	33
TVM2-20-20	307	293	690	172	120	41
TVM2-20-30	362	348	800	215	151	59
TVM2-20-40	485	390	965	260	168	81
TVM2-20-50	530	390	1010	260	168	83
TVM2-20-60	575	390	1055	260	168	92
TVM2-20-70	620	390	1100	260	168	93
TVM2-20-80	695	500	1285	330	205	160
TVM2-20-100	785	500	1375	330	205	163
TVM2-20-120	875	500	1465	330	205	181
TVM2-20-140	965	500	1555	330	205	184
TVM2-20-170	1100	545	1735	330	205	205

Technical Data

Performance curve ISO9906 2900rpm



Installation sketch



Performance table

Model	Motor		Q (m³/h)	H (m)															
	(kW)	(hp)		0	16	20	24	28	32	36	40								
TVM2-32-10-1	1.5	2		15	14	13	12	11	9	7	4								
TVM2-32-10	2.2	3		20	18	17	15	14	13	11	8								
TVM2-32-20-2	3	4		33	29	28	26	23	20	16	11								
TVM2-32-20	4	5.5		40	36	34	32	29	27	23	18								
TVM2-32-30-2	5.5	7.5		50	47	44	41	38	33	28	21								
TVM2-32-30	5.5	7.5		57	54	51	48	44	40	35	27								
TVM2-32-40-2	7.5	10		72	65	62	58	53	46	40	30								
TVM2-32-40	7.5	10		78	72	69	65	59	53	47	37								
TVM2-32-50-2	11	15		92	83	79	74	68	60	52	41								
TVM2-32-50	11	15		99	90	86	81	74	67	59	47								
TVM2-32-60-2	11	15		108	101	97	90	83	74	65	51								
TVM2-32-60	11	15		118	108	104	97	90	81	72	57								
TVM2-32-70-2	15	20		129	119	114	107	98	88	78	60								
TVM2-32-70	15	20		138	126	121	113	105	95	85	67								
TVM2-32-80-2	15	20		145	136	131	123	114	102	90	71								
TVM2-32-80	15	20		154	144	138	130	120	109	97	77								
TVM2-32-90-2	18.5	25		163	154	148	140	129	117	102	80								
TVM2-32-90	18.5	25		172	162	156	147	136	124	109	88								
TVM2-32-100-2	18.5	25		182	175	166	157	146	131	115	91								
TVM2-32-100	18.5	25		193	182	173	164	152	138	122	98								
TVM2-32-110-2	22	30		204	193	184	173	164	146	128	102								
TVM2-32-110	22	30		210	200	191	180	168	153	135	109								
TVM2-32-120-2	22	30		222	211	201	189	178	160	140	113								
TVM2-32-120	22	30		231	218	208	196	184	167	147	120								
TVM2-32-130-2	30	40		246	230	218	206	193	174	153	124								
TVM2-32-130	30	40		253	237	225	213	200	181	160	131								
TVM2-32-140-2	30	40		265	247	235	222	210	189	165	135								
TVM2-32-140	30	40		273	255	242	229	216	196	172	142								
TVM2-32-150-2	30	40		284	266	253	239	224	203	178	145								
TVM2-32-150	30	40		292	274	260	246	231	210	185	152								
TVM2-32-160-2	30	40		304	284	270	255	240	218	190	156								
TVM2-32-160	30	40		312	292	277	262	246	225	197	163								

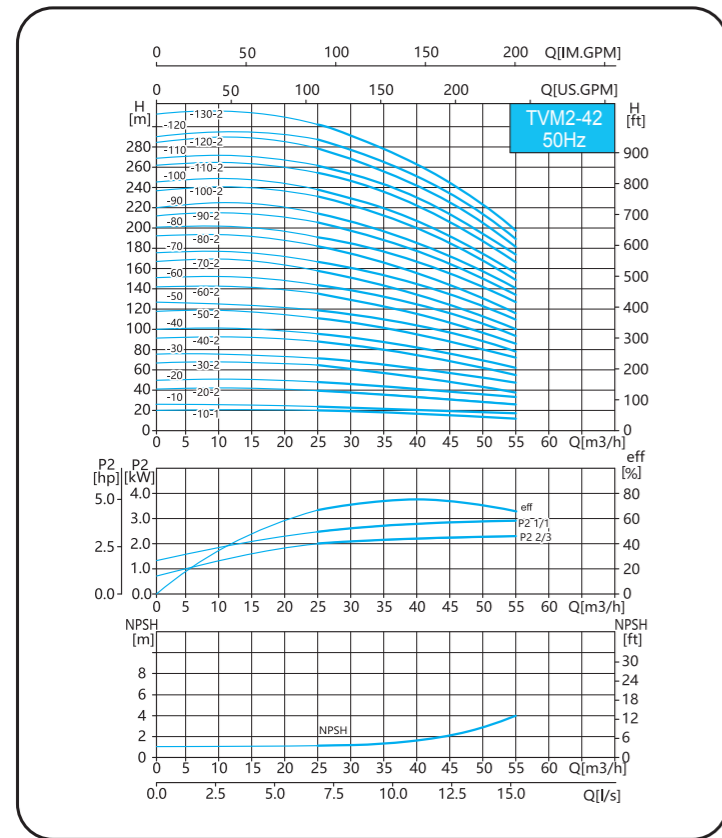
The overall dimensions of the single-phase motor and explosive-proof motor are a little different. Please contact us for details.

Size and weight

Model	Dimension (mm)					Weight (kg)
	H1	H2	H	D1	D2	
TVM2-32-10-1	329	293	727	172	120	54
TVM2-32-10	329	293	727	172	120	56
TVM2-32-20-2	399	345	849	197	132	69
TVM2-32-20	399	348	852	215	151	75
TVM2-32-30-2	560	390	1055	260	168	98
TVM2-32-30	560	390	1055	260	168	98
TVM2-32-40-2	630	390	1125	260	168	109
TVM2-32-40	630	390	1125	260	168	109
TVM2-32-50-2	730	500	1335	330	205	179
TVM2-32-50	730	500	1335	330	205	179
TVM2-32-60-2	800	500	1405	330	205	182
TVM2-32-60	800	500	1405	330	205	182
TVM2-32-70-2	870	500	1475	330	205	200
TVM2-32-70	870	500	1475	330	205	200
TVM2-32-80-2	940	500	1545	330	205	203
TVM2-32-80	940	500	1545	330	205	203
TVM2-32-90-2	1010	545	1660	330	205	214
TVM2-32-90	1010	545	1660	330	205	214
TVM2-32-100-2	1080	545	1730	330	205	217
TVM2-32-100	1080	545	1730	330	205	217
TVM2-32-110-2	1150	576	1831	375	230	272
TVM2-32-110	1150	576	1831	375	230	272
TVM2-32-120-2	1220	576	1901	375	230	275
TVM2-32-120	1220	576	1901	375	230	275
TVM2-32-130-2	1290	650	2045	418	256	339
TVM2-32-130	1290	650	2045	418	256	339
TVM2-32-140-2	1360	650	2115	418	256	342
TVM2-32-140	1360	650	2115	418	256	342
TVM2-32-150-2	1430	650	2185	418	256	345
TVM2-32-150	1430	650	2185	418	256	345
TVM2-32-160-2	1500	650	2255	418	256	347
TVM2-32-160	1500	650	2255	418	256	347

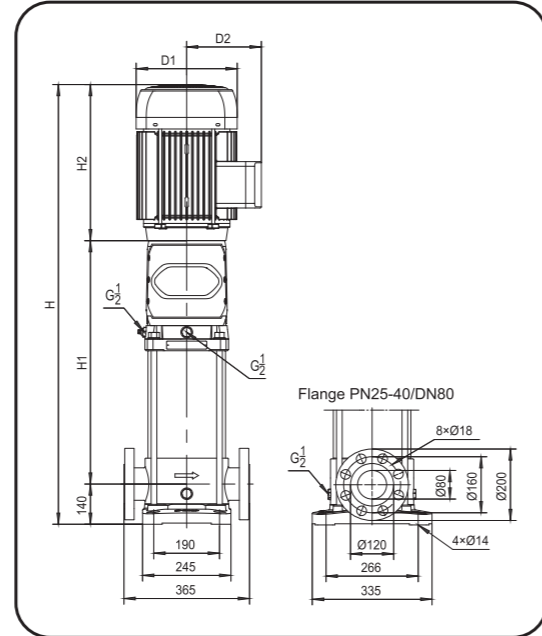
Technical Data

Performance curve ISO9906 2900rpm



TVM2-42

Installation sketch



Performance table

Model	Motor		Q (m³/h)	H(m)																			
	(kW)	(hp)		0	25	30	35	40	42	45	50	55											
TVM2-42-10-1	3	4		20	20	19	18	17	16	15	13	11											
TVM2-42-10	4	5.5		27	24	23	22	21	20	19	18	16											
TVM2-42-20-2	5.5	7.5		42	40	38	36	33	32	30	27	23											
TVM2-42-20	7.5	10		50	48	46	44	42	41	39	35	31											
TVM2-42-30-2	11	15		66	63	61	58	54	52	50	44	38											
TVM2-42-30	11	15		75	71	69	66	63	61	58	53	47											
TVM2-42-40-2	15	20		92	87	84	80	75	73	69	62	54											
TVM2-42-40	15	20		100	95	92	88	84	81	78	71	62											
TVM2-42-50-2	18.5	25		118	111	107	102	96	93	88	80	69											
TVM2-42-50	18.5	25		125	119	115	110	105	101	97	88	78											
TVM2-42-60-2	22	30		142	135	130	124	117	113	108	97	85											
TVM2-42-60	22	30		150	143	138	132	125	122	116	106	93											
TVM2-42-70-2	30	40		166	158	152	146	138	134	127	115	100											
TVM2-42-70	30	40		175	166	161	154	146	142	135	124	109											
TVM2-42-80-2	30	40		192	182	175	168	159	154	146	133	116											
TVM2-42-80	30	40		202	190	184	176	167	162	154	141	124											
TVM2-42-90-2	30	40		212	205	198	190	180	174	166	150	132											
TVM2-42-90	37	50		220	214	207	198	188	183	174	159	140											
TVM2-42-100-2	37	50		237	230	221	212	200	194	185	168	147											
TVM2-42-100	37	50		245	238	230	220	209	203	193	177	155											
TVM2-42-110-2	45	60		262	255	246	236	223	217	206	188	165											
TVM2-42-110	45	60		269	263	255	244	232	225	214	196	173											
TVM2-42-120-2	45	60		284	280	270	259	245	238	226	206	181											
TVM2-42-120	45	60		290	289	280	268	255	247	236	216	190											
TVM2-42-130-2	45	60		312	305	294	282	267	259	247	225	198											

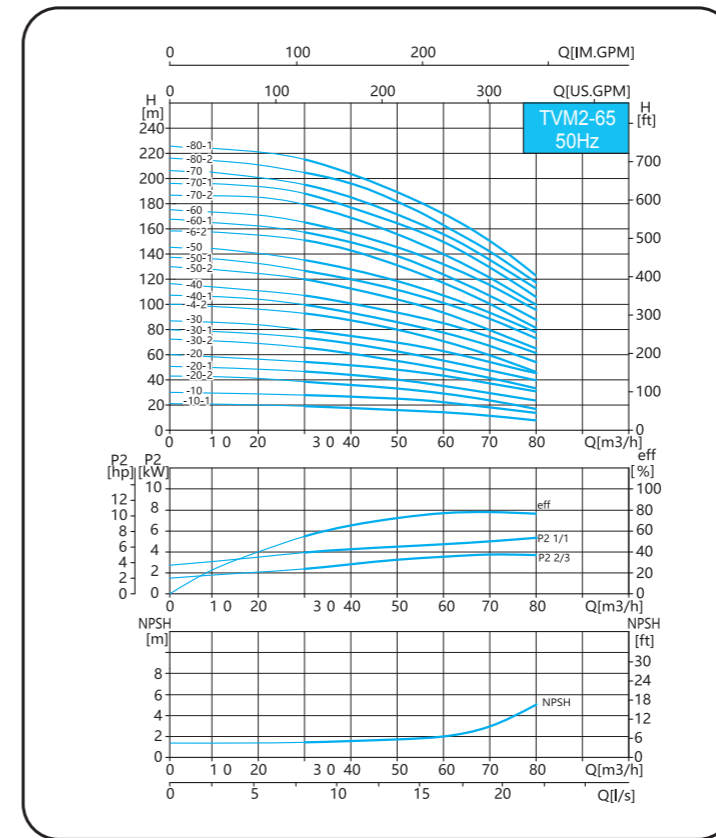
The overall dimensions of the single-phase motor and explosive-proof motor are a little different. Please contact us for details.

Size and weight

Model	Dimension (mm)					Weight (kg)
	H1	H2	H	D1	D2	
TVM2-42-10-1	350	345	835	197	132	73
TVM2-42-10	350	348	838	215	151	80
TVM2-42-20-2	521	390	1051	260	168	103
TVM2-42-20	521	390	1051	260	168	111
TVM2-42-30-2	631	500	1271	330	205	182
TVM2-42-30	631	500	1271	330	205	182
TVM2-42-40-2	711	500	1351	330	205	201
TVM2-42-40	711	500	1351	330	205	201
TVM2-42-50-2	791	545	1476	330	205	212
TVM2-42-50	791	545	1476	330	205	212
TVM2-42-60-2	871	576	1587	375	230	269
TVM2-42-60	871	576	1587	375	230	269
TVM2-42-70-2	951	650	1741	418	256	333
TVM2-42-70	951	650	1741	418	256	333
TVM2-42-80-2	1031	650	1821	418	256	337
TVM2-42-80	1031	650	1821	418	256	337
TVM2-42-90-2	1111	650	1901	418	256	340
TVM2-42-90	1111	650	1901	418	256	360
TVM2-42-100-2	1191	650	1981	418	256	364
TVM2-42-100	1191	650	1981	418	256	364
TVM2-42-110-2	1271	700	2111	465	280	467
TVM2-42-110	1271	700	2111	465	280	467
TVM2-42-120-2	1351	700	2191	465	280	471
TVM2-42-120	1351	700	2191	465	280	471
TVM2-42-130-2	1431	700	2271	465	280	474

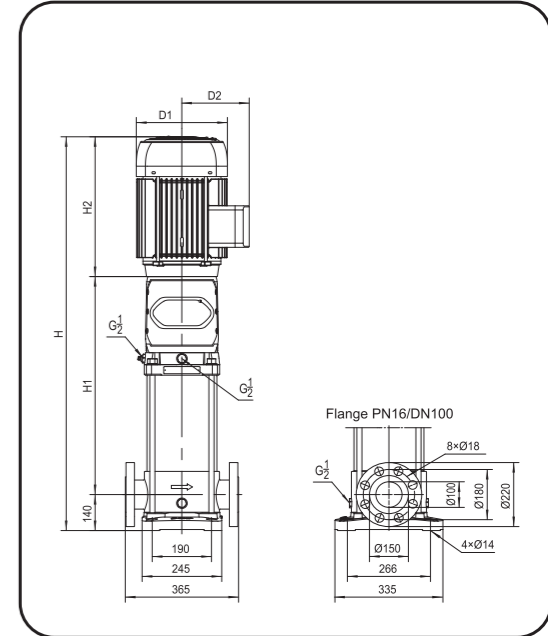
Technical Data

Performance curve ISO9906 2900rpm



TVM2-65

Installation sketch



Performance table

Model	Motor		Q (m³/h)	H(m)																			
	(kW)	(hp)		0	30	40	50	60	65	70	80												
TVM2-65-10-1	4	5.5		20	19	18	16	14	13	11	8												
TVM2-65-10	5.5	7.5		30	27	25	23	21	20	18	15												
TVM2-65-20-2	7.5	10		42	39	36	33	29	26	23	17												
TVM2-65-20-1	11	15		50	46	44	40	36	33	30	24												
TVM2-65-20	11	15		60	53	51	47	43	40	37	30												
TVM2-65-30-2	15	20		73	66	62	56	50	46	41	32												
TVM2-65-30-1	15	20		80	73	69	63	57	53	48	39												
TVM2-65-30	18.5	25		87	80	76	70	64	60	55	46												
TVM2-65-40-2	18.5	25		98	92	87	80	71	66	60	47												
TVM2-65-40-1	22	30		107	100	94	87	78	73	67	54												
TVM2-65-40	22	30		116	107	101	94	85	80	74	61												
TVM2-65-50-2	30	40		130	121	114	105	95	88	80	64												
TVM2-65-50-1	30	40		138	128	121	112	102	95	87	71												
TVM2-65-50	30	40		146	136	129	119	109	102	94	78												
TVM2-65-60-2	30	40		158	150	142	131	118	110	101	81												
TVM2-65-60-1	37	50		166	157	149	138	125	117	108	88												
TVM2-65-60	37	50		175	164	156	145	132	124	115	95												
TVM2-65-70-2	37	50		186	179	169	156	141	132	121	99												
TVM2-65-70-1	37	50		196	186	176	163	148	139	128	106												
TVM2-65-70	45	60		205	193	183	170	155	146	135	112												
TVM2-65-80-2	45	60		216	207	196	182	164	154	142	116												
TVM2-65-80-1	45	60		225	215	203	189	171	161	149	123												

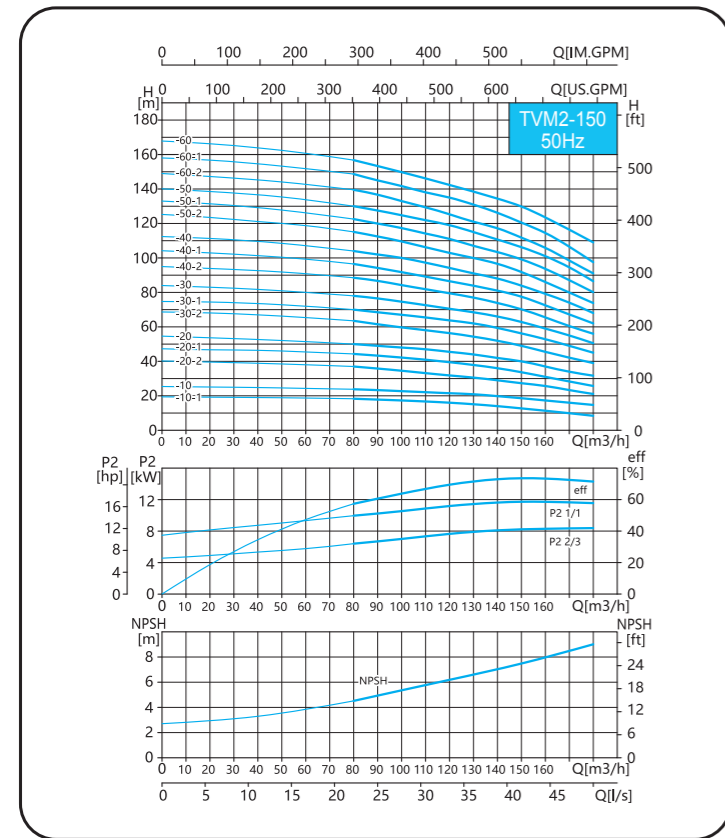
The overall dimensions of the single-phase motor and explosive-proof motor are a little different. Please contact us for details. For TVM2-65 series, PN25-40/DN100 standard flange is also available if required.

Size and weight

Model	Dimension (mm)					Weight (kg)
	H1	H2	H	D1	D2	
TVM2-65-10-1	353	348	841	215	151	70
TVM2-65-10	444	390	974	260	168	90
TVM2-65-20-2	527	390	1057	260	168	102
TVM2-65-20-1	557	500	1197	330	205	170
TVM2-65-20	557	500	1197	330	205	170
TVM2-65-30-2	640	500	1280	330	205	188
TVM2-65-30-1	640	500	1280	330	205	188
TVM2-65-30	640	545	1325	330	205	196
TVM2-65-40-2	723	576	1439	375	230	200
TVM2-65-40-1	723	576	1439	375	230	253
TVM2-65-40	723	650	1513	418	256	253
TVM2-65-50-2	806	650	1596	418	256	318
TVM2-65-50-1	806	650	1596	418	256	318
TVM2-65-50	806	650	1596	418	256	318
TVM2-65-60-2	889	650	1679	418	256	322
TVM2-65-60-1	889	650	1679	418	256	342
TVM2-65-60	889	650	1679	418	256	342
TVM2-65-70-2	972	650	1762	418	256	346
TVM2-65-70-1	972	650	1762	418	256	346
TVM2-65-70	972	700	1812	465	280	446
TVM2-65-80-2	1055	700	1895	465	280	450
TVM2-65-80-1	1055	700	1895	465	280	450

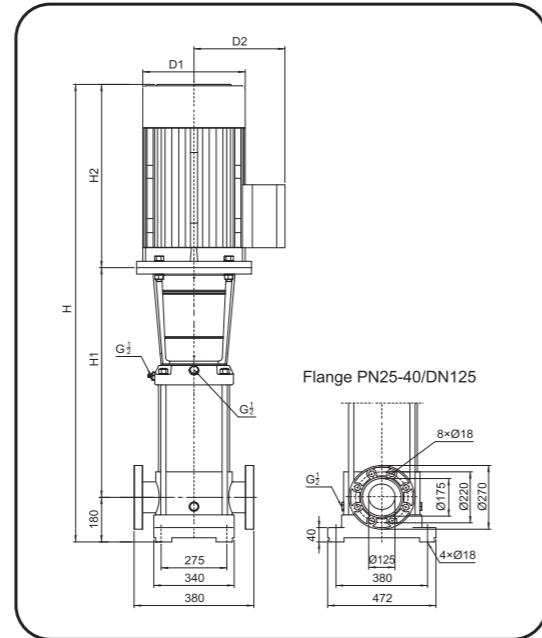
Technical Data

Performance curve ISO9906 2900rpm



TVM2-150

Installation sketch



Performance table

Model	Motor		Q (m³/h)	H (m)														
	(kW)	(hp)		0	80	90	100	110	120	130	140	150	160	170	180			
TVM2-150-10-1	11	15		19.5	18.3	17.8	17.3	17	16	15	14	12.5	11	10	8.5			
TVM2-150-10	15	20		25	24	23	22.5	22	21.5	20.5	20	18.5	17	16	15			
TVM2-150-20-2	18.5	25		40	37	35.5	34	33	32	31	29	27.5	26	23	21			
TVM2-150-20-1	22	30		47.5	44.3	43	42	40	39	38.5	37.5	35	33	30	27			
TVM2-150-20	30	40		55	50	49	48	47	45.5	44	42	40	37	34	32			
TVM2-150-30-2	30	40		69	53.5	61	59	57.5	56	54.5	53	49	45.5	42	39			
TVM2-150-30-1	37	50		75	70	68	67	65	63	62	60	56	53	49	45			
TVM2-150-30	37	50		83	78	76.5	75	73	70.5	68	66	63	59	55	50.5			
TVM2-150-40-2	45	60		95	89	87	84	81.5	79	77	74.5	70.5	65.5	60	56			
TVM2-150-40-1	45	60		104	96.5	94	91.5	89	86.5	84	81.5	77	72.5	67	62			
TVM2-150-40	55	75		112	104	102	100	97	95	91	88	84	79.5	74	68			
TVM2-150-50-2	55	75		125.5	115.5	112	109	106	102.5	100	97	92	86	79	73.5			
TVM2-150-50-1	75	100		132	122.5	119.5	117	113.5	111.5	107.5	104.5	99	93.5	87	80			
TVM2-150-50	75	100		140	130	127.5	125	121	119	115	111.5	106.5	101	84.5	86.5			
TVM2-150-60-2	75	100		149	140	137	133	130	126	121	118	112	106	98	81			
TVM2-150-60-1	75	100		158	148.5	145	141.7	137.5	135	131	127	120.5	114.5	106.5	97.5			
TVM2-150-60	75	100		168	157	153	149	145	142	139.5	137	130	123.5	116	109			

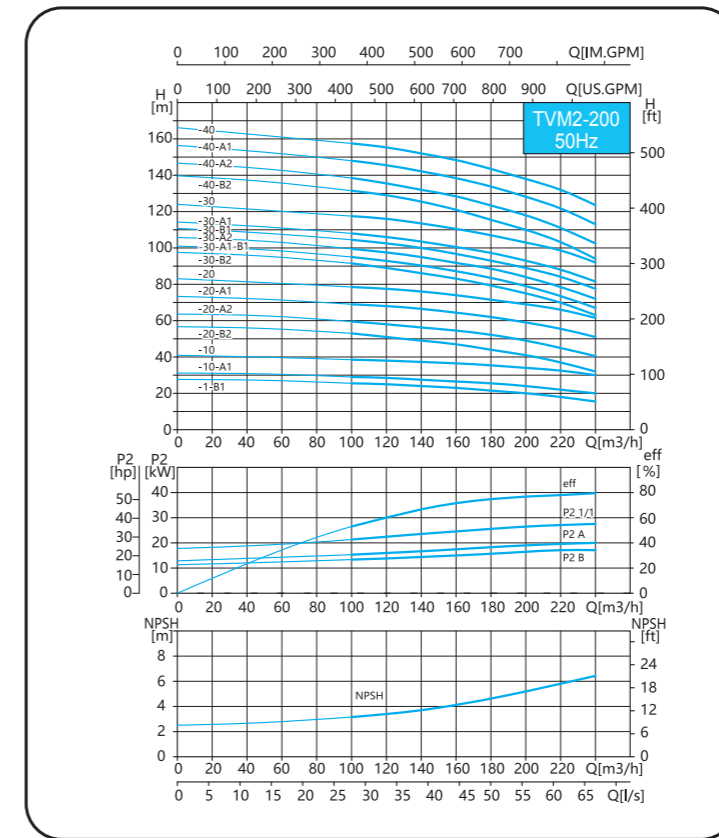
The overall dimensions of the single-phase motor and explosive-proof motor are a little different. Please contact us for details.

Size and weight

Model	Dimension (mm)					Weight (kg)
	H1	H2	H	D1	D2	
TVM2-150-10-1	660	500	1340	330	205	214
TVM2-150-10	660	500	1340	330	205	227
TVM2-150-20-2	820	545	1545	330	205	250
TVM2-150-20-1	820	576	1576	375	230	295
TVM2-150-20	820	650	1650	418	256	351
TVM2-150-30-2	980	650	1810	418	256	361
TVM2-150-30-1	980	650	1810	418	256	382
TVM2-150-30	980	650	1810	418	256	382
TVM2-150-40-2	1140	700	2020	465	280	489
TVM2-150-40-1	1140	700	2020	465	280	489
TVM2-150-40	1170	770	2120	506	305	612
TVM2-150-50-2	1330	770	2280	506	305	623
TVM2-150-50-1	1330	835	2345	560	335	739
TVM2-150-50	1330	835	2345	560	335	739
TVM2-150-60-2	1490	835	2505	560	335	749
TVM2-150-60-1	1490	835	2505	560	335	749
TVM2-150-60	1490	835	2505	560	335	749

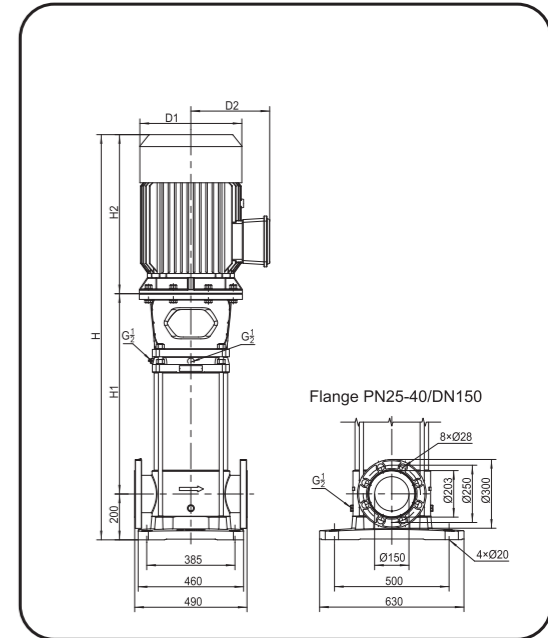
Technical Data

Performance curve ISO9906 2900rpm



TVM2-200

Installation sketch



Performance table

Model	Motor		Q (m³/h)	H (m)														
	(kW)	(hp)		0	100	120	140	160	180	200	220	240						
TVM2-200-10-B	18.5	25		28	25.5	25	24	23	21.5	20	18	15.5						
TVM2-200-10-A	22	30		31	29	28.5	27.5	26.5	25.5	24	22	20						
TVM2-200-10	30	40		40.5	38.5	38	37.5	36.5	35	34	32.5	30						
TVM2-200-20-2B	37	50		57	53	51	49	47	44	41	37	32						
TVM2-200-20-2A	45	60		63	59.5	58	56	54	52.5	49	44.5	40.5						
TVM2-200-20-A	55	75		73	69	68	66	64	62	59	55.5	51						
TVM2-200-20	55	75		82.5	78.5	77.5	76	74	71.5	69	66	61.5						
TVM2-200-30-2B	75	100		98	91.5	89	86.5	83.5	79	75	70	63						
TVM2-200-30-A-B	75	100		100.5	95	93	90	87	83.5	79	73.5	67						
TVM2-200-30-2A	75	100		106	99.5	97.5	94.5	91.5	89	84	78.5	72						
TVM2-200-30-B	75	100		111	104.5	102.5	100	97	93	89	84.5	77.5						
TVM2-200-30-A	75	100		114	108	106	103.5	100.5	97.5	93	88	81.5						
TVM2-200-30	90	120		123	117.5	116	113.5	110.5	107	103	99	92						
TVM2-200-40-2B	90	120		139.5	131.5	129	125.5	121	115.5	110	103.5	94						
TVM2-200-40-2A	110	150		147	138.5	136	132	128	124	118	111	102.5						
TVM2-200-40-A	110	150		157	148	145.5	142.5	138	134	128	122	113						
TVM2-200-40	110	150		166	157.5	155.5	152.5	148	143.5	138	132.5	123.5						

The overall dimensions of the single-phase motor and explosive-proof motor are a little different. Please contact us for details.

Size and weight

Model	Dimension (mm)					Weight (kg)
	H1	H2	H	D1	D2	
TVM2-200-10-B	680	545	1425	330	205	314
TVM2-200-10-A	680	576	1456	375	230	350
TVM2-200-10	680	650	1530	418	256	407
TVM2-200-20-2B	874	650	1724	418	256	451
TVM2-200-20-2A	874	700	1774	465	280	506
TVM2-200-20-A	904	770	1874	506	305	601
TVM2-200-20	904	770	1874	506	305	601
TVM2-200-30-2B	1098	835	2133	560	335	754
TVM2-200-30-A-B	1098	835	2133	560	335	754
TVM2-200-30-2A	1098	835	2133	560	335	754
TVM2-200-30-B	1098	835	2133	560	335	754
TVM2-200-30-A	1098	835	2133	560	335	754
TVM2-200-30	1098	885	2183	560	335	823
TVM2-200-40-2B	1292	885	2377	560	335	836
TVM2-200-40-2A	1292	1040	2532	655	400	1175
TVM2-200-40-A	1292	1040	2532	655	400	1175
TVM2-200-40	1292	1040	2532	655	400	1175



We reserve the right to change the specifications and designs without prior notice. The OO series and model OO are indicated with our series/model codes in this catalog.

**TSURUMI
MANUFACTURING CO., LTD.**

Your Dealer